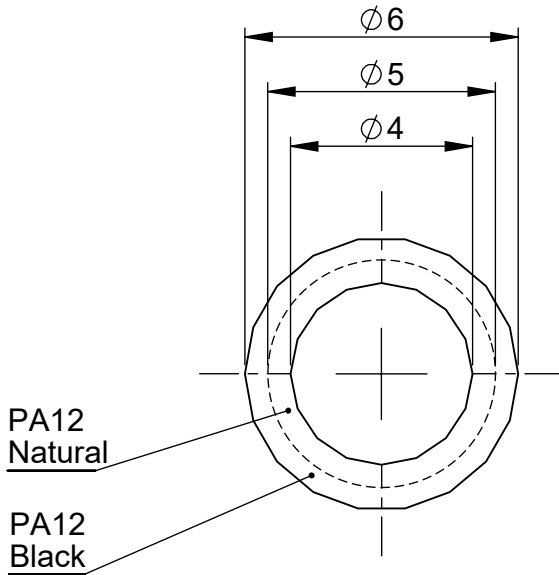




MULTILAYER SENSOR TUBE

AEX/ADTTs



Tube printing (twice a meter, single line, abrasion resistant and waterproofed):

===== - FiWaGuard - F1020004 - WW/YYYY - XX - Sensorschlauch zur Branderkennung - Fire Detecting Tube - Capteur de Feu - FiWaGuard - =====

(explanation tube printing: WW / YYYY = week / year (manufacturing date), XX = binary batch number)

Tube: 4x6


Color: black


Font Color: White

Font size: 3.5mm

packing unit: 100 meters in cardboard box, fixed by wire straps.

Labelled:

Logo: 
 Article number: F1020004
 Length: 100m
 Manufacturing date: WW / JJJJ
 Lot number: XX

Material: PA12 according to FiWaRec specifications				UNLESS OTHERWISE SPECIFIED: DIMENSIONS ARE IN MILLIMETERS	
Operating pressure: 20bar at 20 ° C					
Burst pressure: approx. 120bar at 20 ° C					
Temperature range: -40 to + 80 ° C					
General tolerances according to DIN ISO 2768-1 m					
Shape and position tolerances according to DIN ISO 2768-2 H				Description: Multilayer Sensor Tube	
All edges and radii not measured: R0.2					
Index	Modification	Name	Date		
a	11063	ML	15.09.11	Code Aguilera: AEX/ADTTs	
 Industriepark Region Trier Europa-Allee 12 54343 Föhren Deutschland +49 (0)6502 93 95 120		Datum: 16.06.2011		A4	Index a
		Name: M. Lorig			
		Gepr.:		Scale:1:1	